



M.W.A WELDING (THAILAND) CO.,LTD.

66/88 หมู่ 6 ตำบลเสาธงหิน อำเภอบางใหญ่ จังหวัดนนทบุรี 11140

โทรศัพท์: +662 903 0911-2 โทรสาร: +662 903 0916

Email: mwathailand@hotmail.com

alkitronic®

The new EB – Extreme Flexibility

Alkitronic EB-S

Applications

- **alkitronic® EB:** Battery-driven torque multiplier from 110 Nm to 6,000 Nm / 90 ft.lbs to 4,420 ft.lbs.
- **Extremely mobile and always ready for use:** Innovative product design for comfortable working - independent of external power supply

Advantages

- **High quality materials:** Robust aluminium profile housing for compact and safe mounting of electric motor and primary gear unit. Excellent heat dissipation over large surfaces and airflow cooling system.
- **Maximum flexibility:** Thanks to the application-specific, modular software packages e.g.:
 - bolting according to the torque/rotation angle method.
 - can also be retrofitted later if the bolting application changes.
 - alkitronic® Smart Service - Documentation of the bolted joints.
- **Ergonomic design:** Ultra grippy housing for your safety and a secure bolting procedure.
- **OLED-display:** Anti-glare and high contrast – for perfect reading under all weather conditions.
- **High quality bolting:** The brushless synchronous motor with excellent efficiency and the smart processor-controlled automatic shutdown ensures amazing increased productivity and **low running costs**.
- **Low noise emissions, no noise protection necessary.**
- **Unique 1-finger trigger:** Unbeatable efficiency through fast, simple change of direction of rotation.
- **Repeat shut-off accuracy ± 3%** for the same bolting application.



alkitronic® specials

- **Simple navigation:** Intuitive interface drastically reduces operating errors and misadjustments
- **Health and safety first:** Due to a new technology patented by alkitronic® the reaction torques are decoupled. This leads to an extreme reduction of radial forces on the wrist to 1 Nm and thus actively contributes to the occupational health and safety of the worker.
- **Outstanding battery concept:** Powerful and durable battery for precise, consistent bolting quality - worldwide shipping.

Bolting programs

The software suite 1 is pre-installed in the basic equipment. For user-specific applications, the manufacturer can activate optional modular software

Software suite 1: Torque controlled bolting (standard)

Software suite 2: Torque/angle procedure for high-quality bolting connections

Software suite 2

Premium: Torque/angle procedure with adjustable min./max. torque limitation

Software suite 3: Bolting with **preset rotations** and **torque limit**

Software suite 5: Bluetooth transfer via alkitronic® APP.

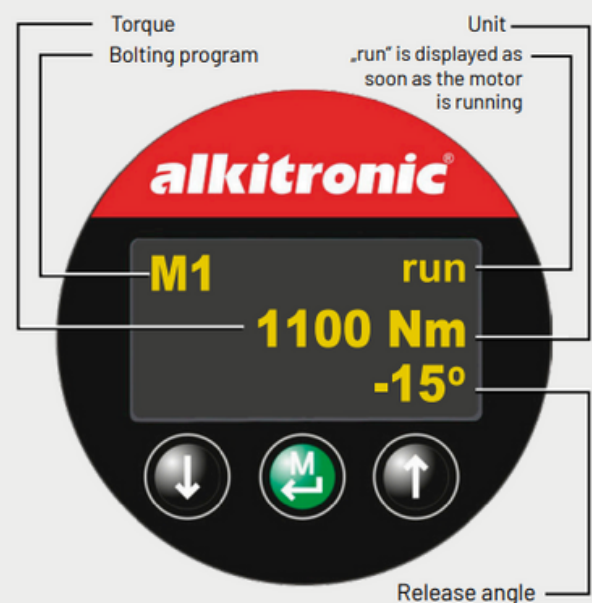
Documentation of the bolted joints (target-actual status, recording for each joint)

Specifications

All alkitronic® EB torque multipliers with CE-certification.

Caution! The Li-Ion battery is preset to 4 Ah (72Wh) so that it can be shipped or transported in accordance with special regulation 188.

Operating panel

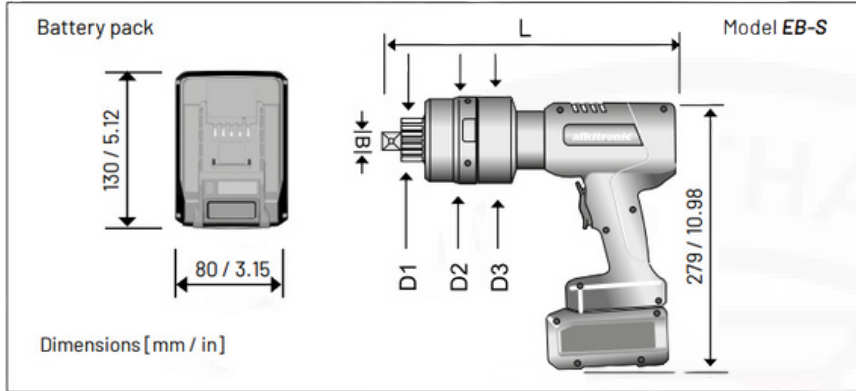




battery driven torque multiplier

Alkitronic EB-S

Technical Data



Model EB-S		EB-S 80	EB-S 150	EB-S 180	EB-S 250	EB-S 350	EB-S 400	EB-S 480	EB-S 600
Torque range (approx)*	Nm	110-850	150-1400	250-1800	350-2500	480-3500	560-4000	650-4800	800-6000
	ft.lbs	90-620	110-1030	190-1330	260-1840	360-2580	410-2950	480-3540	590-4420
Square drive	B	3/4"	3/4"	1"	1"	1"	1"	1 1/2"	1 1/2"
Diameter (approx.)	D ₁	mm / in	41/1.61	41/1.61	54/2.13	54/2.13	54/2.13	54/2.13	72/2.83
Diameter (approx.)	D ₂	mm / in	88/3.46	88/3.46	88/3.46	88/3.46	88/3.46	88/3.46	109/4.29
Diameter (approx.)	D ₃	mm / in	88/3.46	88/3.46	88/3.46	88/3.46	88/3.46	88/3.46	88/3.46
Length (approx.)	L	mm / in	330/13.00	330/13.00	375/14.76	382/15.04	382/15.04	400/15.75	407/16.02
Weight w/o DMA**,Battery(appr.)		kg / lbs	5.3/11.68	5.3/11.68	6.7/14.77	7.3/16.09	7.3/16.09	9.3/20.50	10.5/23.15

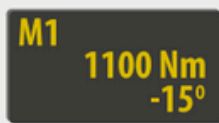
*)When loosening bolts,a higher torque (up to 50%) may be necessary (release torque.***)Torque reaction arm. We will be pleased to help you with your choice.



Display views

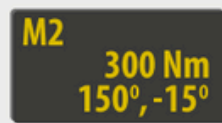
Software suite 1 (mode 1) and software suite 2 (mode 2)

Mode 1 / M1 (Standard)



Bolting via torque. Automatic release according to pre-set angle degrees.

Mode 2 / M2 (Option)



Torque/angle procedure for high-quality bolting connections. Display example of pre-torque, angle and release angle.

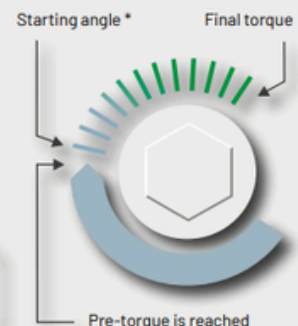
During the bolting process, the current torque value is shown in the display. Reaching the set value is indicated by an "OK". If the selected value cannot be achieved, the bolting operation is evaluated as "nOK".

Scheme bolting programs Mode 1 und Mode 2

Torque controlled bolting mode 1



Torque/angle procedure mode 2



- Information on rotational angle setting for torque/angle method.
- The angle of rotation is specified by the design for the bolting connection.
- The angle of rotation can be determined individually and easily with **alkitronic® M-SD**. We will gladly provide you with detailed product information.